

# PHOTOELECTRIC SMOKE ALARM



## PROFESSIONAL SMOKE ALARMS

- ✓ RFMDUAL Certified Dual Power Smoke Alarm
- ✓ 240V Mains Powered with 3V Battery Backup - 10 YR
- ✓ 90 MM Cut Out Flush Mount
- ✓ Hardwired or RF Module Interconnection
- ✓ 0.6 MM Dual Mesh Insect Guard



MODEL:

# RFMDUAL

CERTIFIED DUAL  
POWER FLUSH MOUNT  
SMOKE ALARM



10 Year  
Lithium Battery



240Vac Power



Hard Wired  
Interconnected



RF Wireless  
Compatible

Certified Dual Power  
240V + 10 YR or 10 YR only

## DESIGNED BY ELECTRICIANS FOR ELECTRICIANS



ASK ABOUT OUR CONTRACTOR'S

## RED DOLLARS REWARD PROGRAM

EARN UP TO \$5 PER ALARM

Find out more on our website [www.thinkredrewards.com.au](http://www.thinkredrewards.com.au)

**red** SMOKE ALARMS

PHOTOELECTRIC  
**SMOKE ALARM**



10 Year Lithium Battery



240Vac Power



Hard Wired Interconnected



RF Wireless Compatible



Certified Dual Power  
240V + 10 YR or 10 YR only

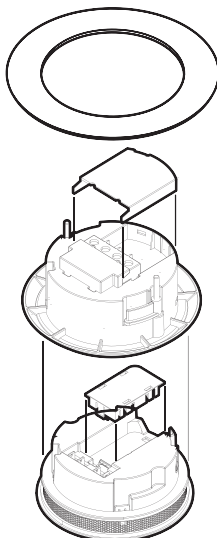
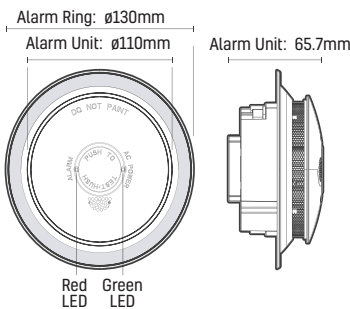


**MODEL:  
RFMDUAL**

**Key Information**

Product or component	Smoke Alarm
Device application	Early Detection of Smouldering Fires and Open Fires
Sensor type	Photoelectric Sensor
Colour	White
Quantity	1
Packaging type	Carton

Power Supply	AC Mains and/or 3V Lithium Battery
Rated Supply Voltage	220...240Vac
Backup Type	3V Lithium Battery (When on AC Mains)
Battery Life	10 YR
Output Voltage Limits	Interconnected: 9V Low Battery: 2.7V
Detection Type	Smoke
Function	Hush Function Smoke Detection Local Alarm
Control Type	Button for Test/ Hush Function
Number of Devices	Hard Wired Interconnected up to 40 Pieces
Operating Distance for Hard Wired Interconnected	150M in Free Field
Response Time	Approx. 8 SEC
Noise Level	85 dB at 3M Minimum
Time Delay Range	10 MIN: for Hush 10 HR: for Silence 72 HR: for Memory Function
Local Signal	Sound: Alarm Sound: Signal Visual: 1 LED (Red) for Warning, Low Battery, Fault and Memory Function Visual: 1 LED (Green) when AC Mains is ON
Type of Installation	Indoor
Device Mounting	Flush [Cut-out Hole Size ø90mm]
Mounting Support	Ceiling
Fixing Type	By Screws
Alarm Diameter	110 MM
Protrusion from Ceiling	31 MM
Wireless Compatibility	Compatible with <b>RFMOD</b> (Wireless Module)
Transmission Frequency	Radio Frequency 433.92 MHz
Number of Devices	Wireless Interconnected up to 20 Pieces
Operating Distance for Wireless Interconnected	30M Indoor Use Line of Sight 100M in Free Field
Ambient Air Temperature for Operation	0...45°C
Relative Humidity	5...95%
Product Certifications	CSIRO
Standards	AS 3786:2014+A1:2015+A2:2018



The information provided in this documentation contains general descriptions and/or technical characteristics of the performance of the products contained herein. This documentation is not intended as a substitute for and is not to be used for determining suitability or reliability of these products for specific user applications. It is the duty of any such user or integrator to perform the appropriate and complete risk analysis, evaluation and testing of the products with respect to the relevant specific application or use thereof. Neither Red Smoke Alarms PTY. LTD nor any of its affiliates or subsidiaries shall be responsible or liable for misuse of the information contained herein.