

User Manual



Model: R10RFP

**10 Year Lithium Battery
Photoelectric Smoke Alarm
With Wireless Interconnection**

INTRODUCTION

IMPORTANT: This manual contains important information about the installation and operation of your smoke alarm. Please read carefully before installation and keep for future reference.

IMPORTANT: Do not attempt to repair the smoke alarm yourself.

IMPORTANT: If you are installing this product for use by others, you must leave this manual (or a copy of it) for the end user.

WARNING: This smoke alarm is designed to alert you to the presence of smoke, it cannot prevent a fire. There are hazards which smoke alarms may not be effective such as smoking in bed, explosions, etc. The ultimate responsibility for fire protection rests with you, this responsibility includes escape planning, safety checks and an effective warning system. In case of fire, a well-placed, properly looked after smoke alarm may provide a few seconds so that you can escape and call the fire brigade.

SPECIFICATION

Power Supply:	10 Year 3V Lithium Battery (Sealed-in)
Sensing Type:	Type A Photoelectric smoke alarm - contains NO radioactive material
Temperature Range:	0°C to 45°C
Humidity Range:	5% to 95% (non-condensing)
Interconnecting:	Wireless interconnection up to 40 pieces 100m in free field
Sound Level:	> 85dB at 3 metres minimum
Alarm Condition:	Audible signal pattern (ISO 8201)
Visual Indicators:	1 LED (Red) for Warning, Low Battery, Fault and Memory Function
Standards:	AS 3786:2014+A1:2015+A2:2018
Maximum Lifespan:	10 years
Transmission Frequency:	Radio Frequency 433.92 MHz
Type of Installation:	Indoor

- In dusty or dirty areas where an installation cannot be relied on. An accumulation of dust and dirt in the sensing chamber may block the openings and prevent an alarm or cause false alarms. If a smoke alarm is required in such an area, vacuum it frequently and test it according to the "Testing" section.
- In the dead air space in the corner where the wall meets the ceiling. If unsure about the exact location of mounting, contact the local fire department for assistance in choosing a safe location.

STEPS FOR INSTALLING A NEW ALARM

- 1 Activate the alarm unit**
Connect mounting plate to alarm unit and turn clockwise to engage 'on' switch.
- 2 Set up wireless interconnection (optional)**
Pair with other devices using RF. Read "RF Wireless Interconnection" Section for detail.
- 3 Detach the alarm unit**
Detach the alarm unit from the mounting plate by turning the alarm unit clockwise.
- 4 Install the Smoke Alarm**
Mount the smoke alarm on ceiling or wall.

RF WIRELESS INTERCONNECTION

- 1 Activate the main unit**
Connect mounting plate to alarm unit and turn clockwise to engage 'on' switch.

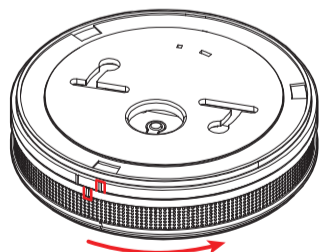


Fig. 5

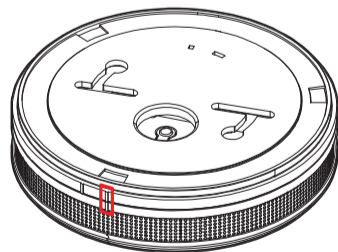


Fig. 6

- 2 Set up wireless interconnection**

RF WIRELESS PAIRING INSTRUCTION

Pair all alarms before installation on ceiling/wall

R10RFP as Master Pairing Mode

Press and hold the RF Pairing button for at least 5 seconds until the alarm's RED LED turns solid.

R10RFP as Slave to connect to a Master

Press the RF Pairing button 2 times quickly, Alarm red LED will flash for 5 times to indicate successful connection.

Pair all alarms before installation on ceiling/wall

1. Select one of the alarms as the MASTER. Treat all other alarms as SLAVE units.
2. On the rear side of MASTER alarm head, press and hold the RF pairing button for at least 5 seconds until RED LED on front illuminates.
3. The unit is now in self-learn pairing mode indicated by the LED on the front of alarm remaining on for a 30 second window.

Note: To exit self-learn pairing mode, press the RF pairing button once. The Red LED will turn off.

DIAGRAM

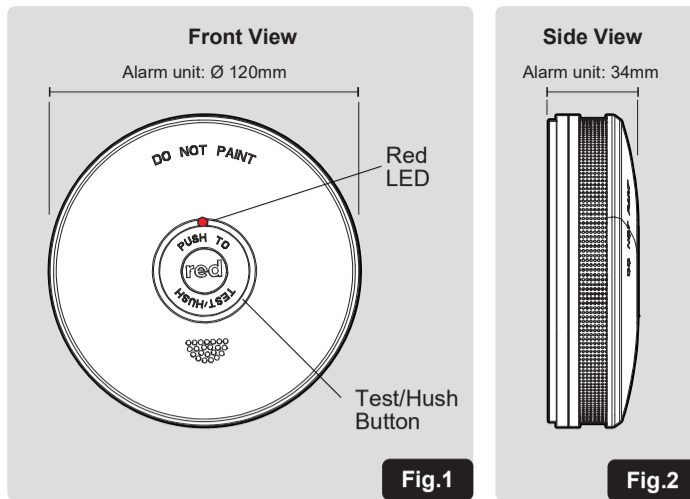


Fig. 1

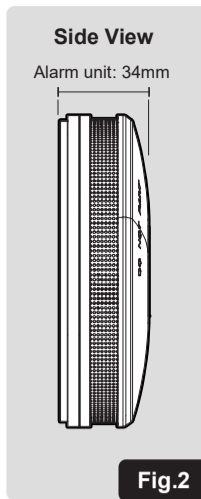


Fig. 2

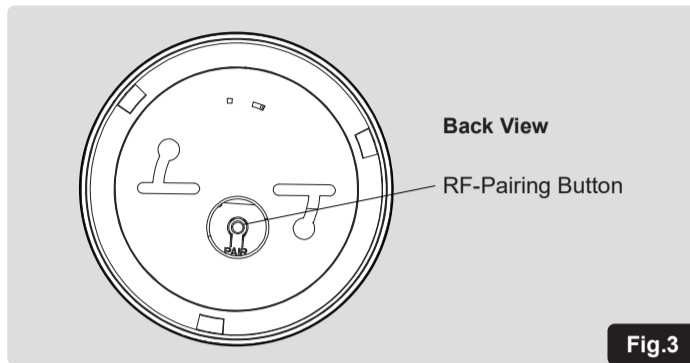


Fig. 3

IMPORTANT SAFETY INFORMATION

1. For the alarm to function properly, it is imperative that the battery is in working condition. To verify the battery status, simply press the test button on the smoke alarm.
2. Only use the test button to check if the smoke alarm is working. DO NOT try any other method.
3. DO NOT take off or disconnect the alarm to stop it from going off unexpectedly, it is for your safety. Instead, use the hush button or open windows to quiet it down.
4. Use this smoke alarm only inside one home. If there are multiple homes in a building, each one should have its own smoke alarms.
5. Smoke alarms only go off when they detect smoke or combustion particles, not heat, flames, or gas. While this smoke alarm can warn of a fire starting, some fires can spread quickly or happen deliberately.
6. Testing the smoke alarm weekly and replacing it every 10 years is crucial.

4. While the MASTER unit's RED LED is on, take the next slave alarm and press the RF pairing button 2 times. The SLAVE alarm LED will flash 5 times indicating successful interconnection.
Note: If the SLAVE units do not flash their LED 5 times, the wireless interconnection has not paired yet, in this case, check that the alarm is 'ON' with the plate properly engaged clockwise and that the master is still in self pairing mode, you will only need to pair slave units that were not paired previously.
5. Repeat step 4 on all other SLAVE alarms within 30 seconds. Repeat step 3 if required.
6. After pairing all units, press and hold MASTER alarm's Test/Hush button for up to 30 seconds to check that all interconnected units receive the RF signal and alarms sound.
7. Once all alarms are paired, detach the mounting base with the alarm unit. Proceed installation to ceiling/wall.
Note: Always use the existing alarm in the RF network as the Master device, and any new additional devices as Slave units.

Clear Pairing Memory

- Press the RF pairing button 5 times, the red LED on the alarm will flash 10 times to clear the alarm's pairing memory, removing it from the network.

For more help, visit www.redsmokealarms.com.au



Fig. 7

INSTALLATION OF SMOKE ALARM

- 4 Install the Smoke Alarm**

1. From back of the smoke alarm, remove the mounting plate by turning it counter clockwise.
2. Position smoke alarm mounting plate on wall or ceiling and screw into place.
3. Mount alarm head to base and turn clockwise to engage 'on' function.
4. Press and hold the test button to initiate a smoke alarm test.

WARNING: Incorrect orientation will result in a decrease in operational effectiveness.

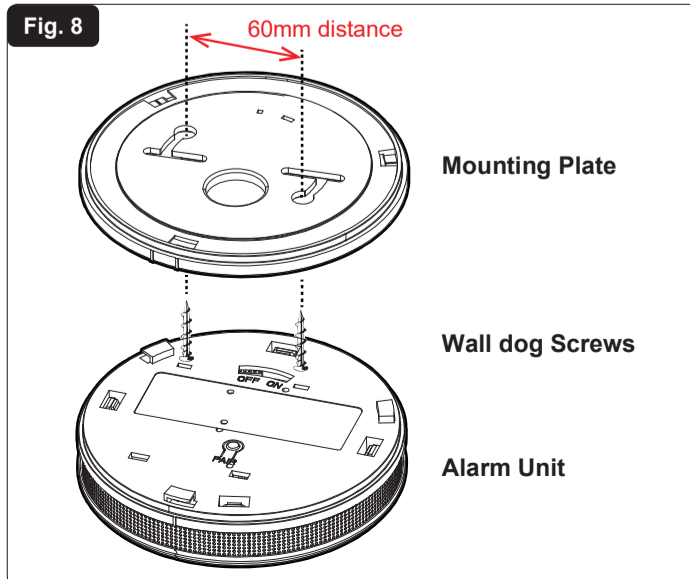


Fig. 8

RECOMMENDED LOCATION OF ALARMS

- Install at least one alarm for each bedroom
- Install at least one alarm to protect any stairway
- Install at least one alarm on every floor level.
- Install an alarm in every room where a smoker sleeps as additional protection.
- Install an alarm in every room where electrical appliances are operated (i.e. portable heaters or humidifiers) as additional protection.
- Install an alarm in every room where someone sleeps with the door closed as additional protection. The closed door may prevent the alarm from waking the sleeper.
- When mounting an alarm on the ceiling install it at a minimum of 300mm from the side wall and 500mm max. from any corner (see diagram).
- When mounting an alarm on a wall, install it at a minimum of 300mm from the ceiling level but not more than 500mm from the ceiling level and any corner (see diagram)
- When mounting an alarm at the apex of a sloping ceiling it should be located a minimum of 500mm from the apex but should not exceed 1500mm (see diagram).

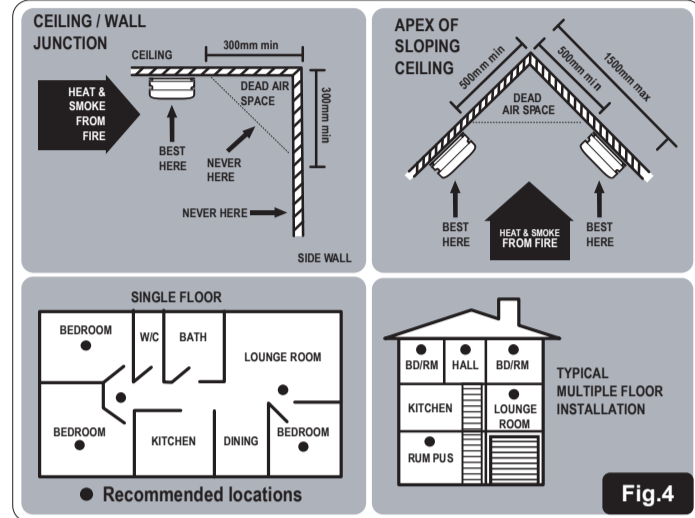


Fig. 4

AVOID THESE LOCATIONS

Avoid installing the smoke alarm in the following locations:

- Within one metre of heating or cooling supply vents, return air or fresh air vents, as smoke may be blown away by the supply vents or diverted into the return air vent, leading to improper alarms.
- In areas where the temperature may fall below 0°C or rise above 45°C, as smoke alarms are designed to operate safely only within these temperature ranges. Operating outside these limits may result in failure to alarm, improper alarms, or nuisance alarms.
- In damp or very humid areas, such as bathrooms with showers, where humidity levels may rise above 95%. Above this level, moisture may condense inside the smoke chamber, causing false alarms. Additionally, the smoke alarm may become unstable below 5% relative humidity.
- In areas where particles of combustion are present, such as garages or kitchens, as this can cause false alarms.

NOTE: After the Test/Hush button has been pressed, wait 10 minutes before any additional testing is conducted to avoid any abnormal responses as the smoke alarm is not sensitive to smoke during this period.

NOTE: If a nuisance alarm occurs and if there is no sign of smoke, heat or noise to suggest a fire you should get your family to a safe place before investigating. Check the household carefully in case there is a small fire smouldering out of sight, or if there is another source of smoke or fumes such as cooking fumes being drawn past a smoke alarm by an extractor.

WARNING: If you experience frequent nuisance alarms, consider moving the device away from the source of fumes. If the alarm persists in sounding nuisance alarms despite the absence of smoke, it may need maintenance or cleaning.

TESTING

TESTING

- Before testing, please ensure that the smoke alarm has been activated.
 - Testing the smoke alarm weekly and replacing it every 10 years is crucial.
- 1) To perform the test, press and hold the "HUSH/TEST" button. This will activate the alarm, indicating that the electronic circuitry and horn are functioning correctly.
Note: If the alarm does not sound during the test, please check the battery supply by reading the red LED. The red LED should flash once every 48 seconds.
Note: At the same time, any alarm that is RF paired to the RF network will also be triggered within 30 seconds.
 - 2) Release the test button. The smoke alarm will exit test mode within 3 seconds.
Note: Continuous chirping, erratic noise, or a low sound from the alarm may indicate a defective alarm. In such cases, please return the unit to the place of purchase.

WARNING: Never use an open flame of any type to test your alarm.
WARNING: Do not apply excessive force on the "Test/Hush" button this may damage the smoke alarm and may void the warranty.

Activation / Deactivation	Smoke Alarm Indication:
Activate test mode: hold the test button	Red LED will flash and chirp rapidly in sync
Deactivate the test mode: release the test button	Red LED and chirping will cease

Featured LED and Alarm Signal

- 85dB Red Fire Alarm**
The smoke alarm will sound a loud alarm (85 dB) and the red LED will flash rapidly. This will continue until the air is cleared.
- Red Every 48 sec Standby**
The red LED flashes once every 48 seconds to indicate the smoke alarm and battery are functioning correctly.
- Red Every 4 sec Memory Function**
If one of the alarm indicators (RED LED) is flashing every 4 seconds, it indicates that a smoke alarm has previously been activated.
- 85dB Red Every 48 sec Low Battery**
The smoke alarm indicates a low battery by flashing the red LED once and emitting a chirp every 48 seconds.

HUSH OR SILENCE FUNCTION

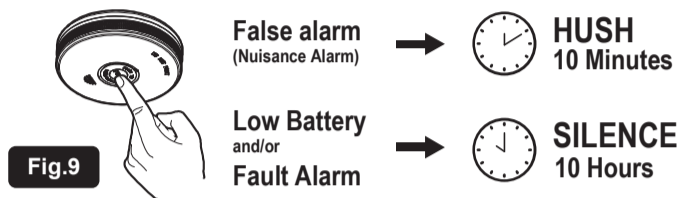
This smoke alarm has a built-in Hush or Silence feature incorporated into the Test/Hush button. If cooking or other non-hazardous sources cause the alarm to sound, it can be temporarily Hush by depressing the Test/Hush button for 1 second. The alarm will then enter a dormant period for 10 minutes.

After the 10 minute dormant period, the smoke alarm will resume normal operation.

Note: After the Test/Hush button has been pressed, wait 10 minutes before any additional testing is conducted to avoid any abnormal responses as the smoke alarm is not sensitive to smoke during this period. See Fig.9 for details.

This smoke alarm has a self-diagnosis. If the smoke alarm detects the battery is low and/or an internal fault, it will chirp. This alarm could be temporarily silenced by holding the Test/Hush button for 1 second. The alarm will not chirp for 10 hours but the LED will remain functioning. It is recommended to replace the smoke alarm as soon as possible after this period of time.

Note: Silence will not affect the basic fire warning functions of a smoke alarm. During the silenced period, if the smoke alarm detects any smoke, it will still operate fire warning (Rapid flashing red LED and chirping). See Fig.9 for details.



PLANNING

Developing and implementing an escape plan is crucial for ensuring the safety of your household in the event of a fire. To do so, it is recommended that you follow the steps outlined below:

- Create a floor plan that identifies all doors and windows, as well as at least two escape routes from each room. Note that for second-storey houses, rope or chain ladders may be necessary.
- Hold a family meeting to discuss and review your escape plan, ensuring that each member understands what to do in case of a fire.
- Designate a predetermined location outside of your home where all family members can meet in the event of a fire.
- Ensure that everyone is familiar with the sound of the smoke alarm and conduct regular practice drills of leaving the home when it goes off.
- Conduct fire drills at least every six months, including night-time drills.
- Practicing your escape plan allows you to test its effectiveness before an actual emergency. It is crucial that every member of the household is aware of the plan, as they may need to act quickly and independently in the event of an emergency.

LIMITATION OF SMOKE ALARMS

- When discussing the limitations of smoke alarms, it's important to keep the following points in mind:
- Smoke alarms can only detect smoke if it reaches the device. This means that fires that start in areas far away from the alarm, such as chimneys, walls, roofs, or another floor of the building, may not be detected.
- If the smoke alarm is located outside of the bedrooms or on a different floor, it may not be able to wake up individuals who are sound sleepers. For this reason, it is recommended that a smoke alarm be installed in each bedroom to provide additional protection.
- While smoke alarms can provide early warning of a fire and help save lives, they should not be considered as an alternative to an insurance policy.
- Standard smoke alarms will not alert individuals who are hearing impaired. Special purpose devices such as the Red Strobe Light and Vibrating Pad for Hearing Impaired should be used in these cases to ensure that everyone in the building is alerted in the event of a fire.
- By keeping these limitations in mind, individuals can take steps to maximize the effectiveness of their smoke alarms and ensure that they are taking all necessary precautions to protect themselves and their property from the dangers of fire.

WARRANTY

WARNING: DO NOT ATTEMPT TO OPEN THE HOUSING.

Red Smoke Alarms warrants the R10RFP to be free from defects in materials and workmanship under normal use and service for a period of ten years from manufacture date. The company will not be obligated to repair or replace parts which are found to be in need of repair because of misuse, damage or alterations that occur after the date of purchase. Return the R10RFP smoke alarm with proof of purchase to your local distributor. The liability of the company arising from the sale of this R10RFP Smoke Alarm shall not in any case exceed the cost of replacement and in no case shall the company be liable for consequential loss or damages resulting from the failure of the R10RFP Smoke Alarm.

RED SMOKE ALARMS PTY. SHALL HAVE NO LIABILITY FOR ANY PERSONAL INJURY OR PROPERTY DAMAGE, OR ANY SPECIAL INCIDENTAL, CONTINGENT OR CONSEQUENTIAL DAMAGE OF ANY KIND RESULTING FROM A FIRE. THE EXCLUSIVE REMEDY FOR BREACH OF THE LIMITED WARRANTY CONTAINED HEREIN IS THE REPAIR OR REPLACEMENT OF THE DEFECTIVE PRODUCT AT RED SMOKE ALARMS PTY. LTD. OPTION. IN NO CASE SHALL RED SMOKE ALARMS PTY. LTD.'S LIABILITY UNDER ANY OTHER REMEDY PRESCRIBED BY LAW EXCEED THE PURCHASE PRICE. YOUR RFMDUAL SMOKE ALARM IS NOT A SUBSTITUTE FOR PROPERTY, DISABILITY, LIFE OR OTHER INSURANCE OF ANY KIND. APPROPRIATE COVERAGE IS YOUR RESPONSIBILITY. CONSULT YOUR INSURANCE AGENT.

This does not affect your statutory rights.

This device is only suitable for single occupancy private dwellings only and not intended for multi occupancy private dwellings or commercial or industrial dwellings.

Waste electrical products should not be disposed of with normal household waste. Please recycle where facilities exist. Check with your Local Authority or retailer for recycling advice. New regulation will encourage the recycling of Waste from Electrical and Electronic Equipment (European "WEEE Directive" effective August 2005).

Red Smoke Alarms PTY. LTD. reserves the right to change specifications, modify designs and discontinue items without incurring obligation and whilst every effort is made to ensure that descriptions, specifications and other information in this catalogue are correct, no warranty is given in respect of these of and the company shall not be liable for any error therein.

© Red Smoke Alarms 2024

IN CASE OF FIRE

Developing and practicing a plan of escape is essential for ensuring the safety of your household in the event of a fire. When the smoke alarm sounds, it is crucial that you follow the steps outlined below:

- Leave the building immediately using your pre-determined plan of escape. Time is of the essence, so do not waste time getting dressed or retrieving valuables.
- When exiting, do not open any internal doors without first feeling the surface. If the door is hot or smoke is seeping through cracks, do not open it. Instead, use your alternative exit. If the door is cool, place your shoulder against it, open it slightly, and be prepared to shut it quickly if heat or smoke rush in.
- Stay close to the floor if the air is smoky and breathe shallowly through a wet cloth if possible.
- Once outside, proceed to your designated meeting place and ensure that all family members are present.
- Call the Fire Brigade from a neighbor's home, not from your own.
- Do not re-enter your home until officials confirm that it is safe to do so. For additional information on fire safety, please contact your local Fire Brigade.

MAINTENANCE, REPAIRS, AND SERVICE

When it comes to maintaining, repairing, and servicing your smoke alarm, it is important to follow proper guidelines. Please refer to the information below:

Maintenance:

To ensure optimal performance, it is recommended that the smoke alarm be inspected monthly to check for dirt, dust, and insects. The alarm can be vacuumed or brushed with a soft brush to remove accumulated dust, dirt, or kitchen grease. Additionally, applying a small amount of surface spray to a cloth and wiping around and over the alarm which will should deter insect ingress. After cleaning, always test the smoke alarm to ensure that it is functioning correctly.

Repairs / Service:

In the event that the smoke alarm is defective, refrain from tampering with the unit. The unit does not contain any user-serviceable parts. Seek professional assistance for repairs or servicing.

BATTERY

Battery replacement is not required and the battery cannot be removed.

When turning off the alarm, hold the test/hush button for more than 3 seconds to de-energize the alarm battery and prevent the low battery beep.

Low Battery

If the smoke detector emits a short 'beep' once every 48 seconds the battery is at the end of its life and this detector should be replaced immediately. This low voltage warning will be given for at least 30 days.

If the red indicator light (LED) does not flash every 48 seconds then replace the whole smoke alarm unit.

INDICATION AND ACTION

If you observe any indication from the smoke alarm and are uncertain about its condition, please refer to the table below for the "LED Indicator" and "Siren" of your smoke alarm. The table will help you determine the current status of the alarm and the appropriate action to be taken.

If you require further assistance, we recommend reaching out to our technical support for inquiries. You can find the contact details in this manual.

STATUS	LED INDICATOR	SIREN	ACTION NEEDED
Standby Mode	Red LED 1 flash every 48 seconds	None	Smoke alarm in standby condition. No action required.
Fire Alarm Mode	Red LED flashing rapidly until smoke is clear	chirping rapidly until smoke is clear	Smoke Alarm detects fire. See Section - "In case of fire"
Test Mode	Red LED flashing rapidly (flash pattern sync with the siren)	chirping rapidly (Chirp pattern sync with the Red LED)	Activate the test mode by holding the test button. Deactivated when the test button is released. See Section - "TESTING"
Low Battery Warning	Red LED 1 flashes every 48 seconds	1 short chirp every 48 seconds (Chirp pattern sync with the Red LED)	The battery is low. Check Section - "Battery".
Memory Function	Red LED 1 flashes every 4 seconds, lasting 72 hours	None	This indication will last for 72 hours. Then, it will automatically resume to standby mode. No action required.
Unit Fault	Red LED 2 short flashes every 48 seconds	2 short chirps every 48 seconds (Chirp pattern sync with the Red LED)	The alarm unit is faulty. Check Section - "Maintenance, Repairs, and Service" for further instruction.

This material copyright under Australian and international laws. Except as permitted under the relevant law, no part of this work may be reproduced by any process without prior written permission of and acknowledgment to Red Smoke Alarm PTY. LTD..

E&OE
V 1.0

Contact Details

RED SMOKE ALARMS PTY. LTD.

35 Hitech Drive, Kunda Park QLD 4556

service@redsmokealarms.com.au

www.redsmokealarms.com.au

1300 316 552

